



Special Features

- Designed to reduce dampening effect of process fluid
- Working pressure up to 400 kg/cm²
- Working temperature up to 120 °C
- All stainless steel construction
- For corrosive environment & media

Application

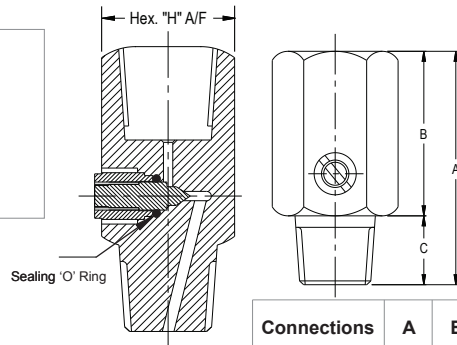
- This device can increase the service life of pressure instruments in critical conditions found at reciprocating
- Pumps
- Hydraulic machines
- Compressors
- Process plants
- Clean air,
- Non crystallized liquids

Specifications

Standard Version

Working Pressure	:	Up to 400 kg/cm ²
Working Temperature	:	- 20 °C to 120 °C
Instrument Connection	:	½" NPT (F)
Process Connection	:	½" NPT (M)
Body Material	:	AISI 316 SS
Sealing 'O' Ring (Internal)	:	Viton

Dimensions - Standard Version



Notes: Drawings are not to scale.
All Dimensions are in mm.

Connections	A	B	ØC	Hex. "H" A/F
1/4" (MxF)	55	40	15	25.0
3/8" (MxF)	55	39	16	25.0
1/2" (MxF)	63	43	20	28.0

How To Order

Basic Model

Code

Body

CL AISI 316 SS (Standard)	CM AISI 316L SS	CQ AISI 304 SS
CN Monel	CP Brass*	HA Hastelloy C

* In case of wetted parts of Brass, max. pressure shall be 250 kg/cm²

Connection

2BM.2BF 1/4" BSP (M x F)	3BM.3BF 3/8" BSP (M x F)	4BM.4BF ½" BSP (M x F) (Standard)	4MM.4MF M20 x 1.5 (M x F)
2NM.2NF 1/4" NPT (M x F)	3NM.3NF 3/8" NPT (M x F)	4NM.4NF ½" NPT (M x F) (Standard)	
2TM.2TF 1/4" BSPT (M x F)	3TM.3TF 3/8" BSPT (M x F)	4TM.4TF ½" BSPT (M x F)	

Note : Connections like Metric/ PT/ PF/ Flaired/ UNF/ G/ R etc can be provided on request.

Optional Extras

SG Oxygen Service	GH Material Test Certificates*	TF Conformity as per NACE Standard (except option Code 'CP')#
--------------------------	---------------------------------------	--

For body material only.

*Material test certificates will be provided for wetted parts only with chemical composition testing. For others, please consult factory.

Ordering Example: EG . XX . XXX.XXX . XX

For other optional items, please contact factory for delivery and minimum quantity of order.

Note : Specifications and dimensions given in this product catalogue represents the state of engineering at the time of printing.

Modifications may take place and materials specified may be replaced by others without prior notice.

Example

EG

XX

XXX.XXX

XX